

## BR-RRU-01 – RRU BRACKET

BR-RRU-01 is a medium weight bracket. It uses a universal design to fit most angular and tubular lattice towers. It is easily packed and transported to site. The bracket makes use of friction grip to connect to the tower face or corner and reduces vibration through specially designed connections. Ease of assembly and low drag coefficient are the main advantages of this bracket.

This RRU bracket complies with international design standards (TIA222H / TIA 322) and can be re-certified to other standards if required.

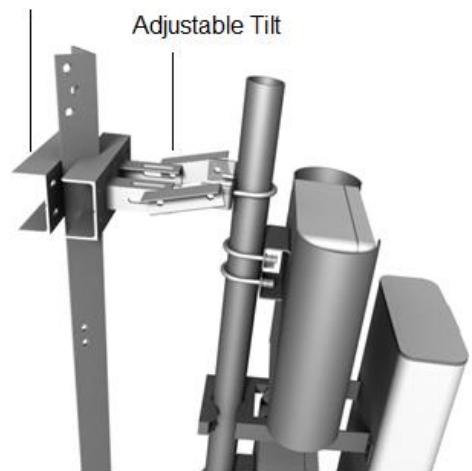


### Features

- Available in various sizes
- Fully hot-dip galvanized
- S355 Steel
- TIA-222-H / TIA 322 standard
- Adaptable mounting
- Support for tubular & angular towers
- Options available for design adaptation to special wind & ice conditions
- Low EPA

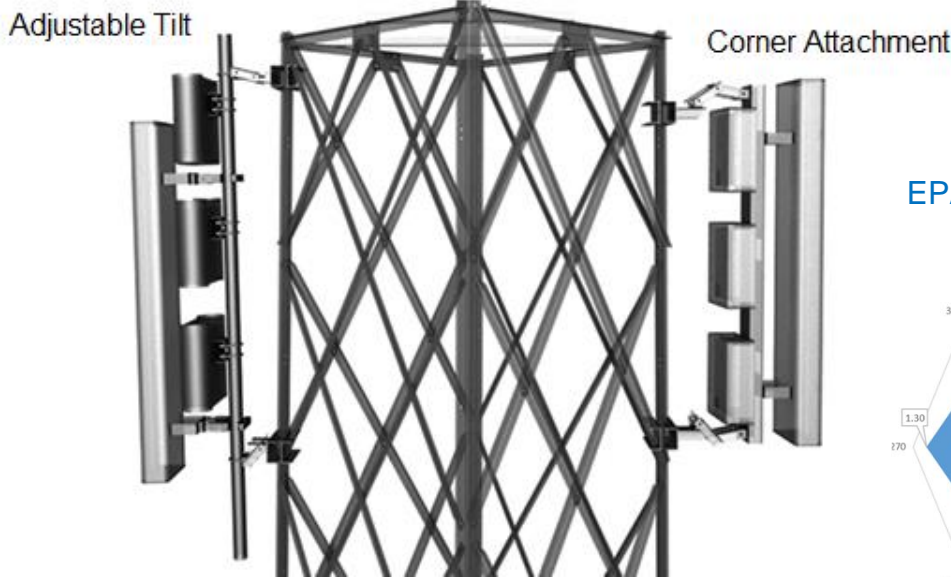
Adjustable  
Connection

Adjustable Tilt

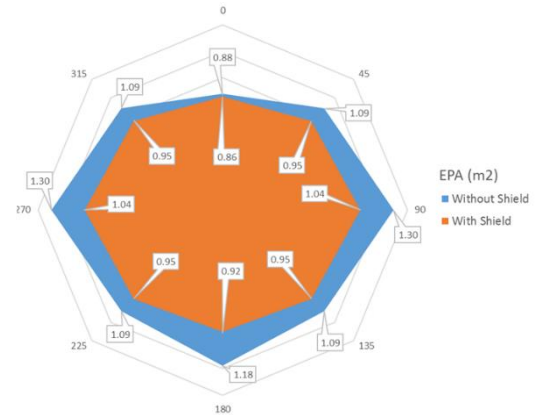


## Applications

- Mounting RRU antennas



EPA Vs. Azimuth Diagram



BR-RRU-01 TECHNICAL SPECS (TIA222H)		
Tower Connection	Leg	-
Antenna Support	1 + 3 RRU	-
Basic Design Wind Speed (TIA)	40 *	m/s
Material	<b>S355 Steel</b>	-
Bolt Grades	Gr 8.8	-
Max Topographic Height	250	m
Suitable Categories	<b>Urban – Suburban – Open Terrain - (TIA Exposure B and C)</b>	-
Compatible Connection Type	<b>SAE - CHS - CRUX</b>	-
Length (approximate)	2000 (Including the antenna pole)	mm
Width (approximate)	400	mm
Depth (approximate)	450	mm
Design Standard	<b>TIA-222H / TIA 322</b>	

\* Can be adjusted to medium and high wind speeds