



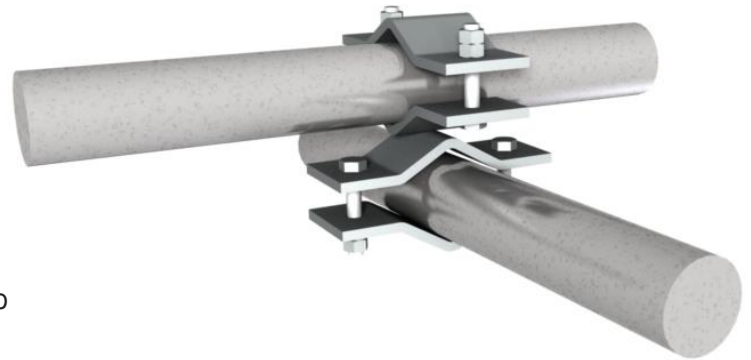
BR-CL-CO1 – CROSS OVER CLAMPS BRACKET

BR-CL-CO1 is a bracket used for cross connecting a pipe or an Omni antenna to a pole.

This bracket complies with international design standards (TIA222H / TIA 322) and can be re-certified to other standards if required.

Features

- Fully hot-dip galvanized
- S355 Steel
- TIA-222-H / TIA 322 standard
- Available in various sizes
- Suitable for tubular (CHS) sections
- Options available for design adaptation to special wind & ice conditions
-



Applications

- Mounting to poles and CHS sections

